

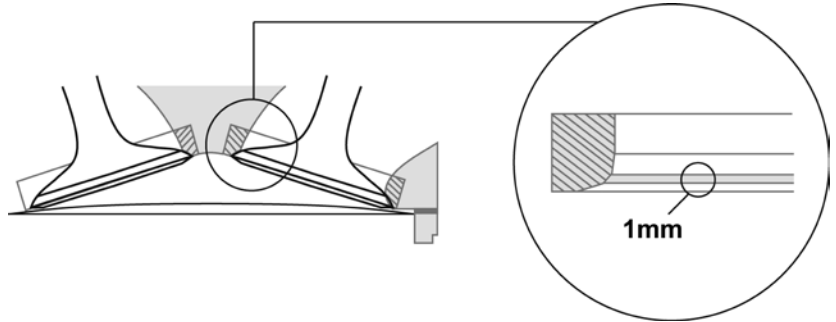
## Titanium Engine Valve Installation Guide

*Congratulations, you have purchased a Wiseco forged, one piece, Titanium Engine Valve - Manufactured to the highest quality standards and specifications. By using the latest state-of-the-art Titanium material and coating, these valves have improved properties over the original item.*

**Do not touch the valve surface with your bare hands** - Use gloves or pre-lube the valve with engine oil (this will reduce the risk of corroding the coating).

**Never** use a lapping compound on a titanium valve.

**During every rebuild the valve seats must be machined** - This is to assure a 100% valve-to-seat contact, and to free the seat from the hardened shell. The width of the contact zone on a valve seat with the valve face should be at least 1mm. In general the angle is 45°, however consult the O.E.M. specification first.



**New valve seats should be soft material**, such as Nodular Iron or Bronze - Heat treated to Rockwell RC32 or less. Most original valve seats used in combination with titanium valves are made of such an alloy.

**Valve spring force is critical to proper valve operation.** Use OEM springs or springs with equal force. The use of higher spring forces may result in valve and/or valve seat damage.



7201 Industrial Park Blvd. • Mentor, Ohio 44060 • 440-951-6600 • [www.wiseco.com](http://www.wiseco.com)

### WISECO PISTON COMPANY, INC., LIMITED PISTON WARRANTY

WISECO warrants this product will be free from defects in material and workmanship for thirty (30) days following date of original purchase. If the product is found by WISECO to be defective, such products will, at WISECO'S option, be replaced or repaired at cost to WISECO. All products alleged by Purchaser to be defective must be returned to WISECO, postage prepaid, within thirty (30) days warranty period.

This limited warranty does not cover labor or other costs or expenses incidental to the repair and/or replacement of products or parts.

This limited warranty does not apply to any product which has been used in a hi-performance application, or racing, or is subject to misuse, mishandling, misapplication, neglect (including but not limited to improper maintenance), accident, improper installation, modification (including but not limited to use of unauthorized parts or attachments), or adjustment or repair performed by anyone other than WISECO.

The parties hereto expressly agree that the purchaser's sole and exclusive remedy against WISECO shall be for the repair or replacement of the defective product as provided in this limited warranty. This exclusive remedy shall not be deemed to have failed of its essential purpose so long as WISECO is willing and able to repair or replace defective goods.

THIS LIMITED WARRANTY IS IN LIEU OF ALL OTHER WARRANTIES, EXPRESS OR IMPLIED, INCLUDING THOSE OF MERCHANTABILITY OR FITNESS FOR A PARTICULAR PURPOSE NOT EXPRESSLY SET FORTH HEREIN. ANY PRODUCT WHICH MAY BE SOLD BY WISECO BUT WHICH IS NOT MANUFACTURED BY WISECO IS NOT WARRANTED BY WISECO, BUT IS SOLD ONLY WITH THE WARRANTIES, IF ANY, OF THE MANUFACTURERS THEREOF.

WISECO'S liability (whether under the theories of breach of contract or warranty, negligence or strict liability) for its products shall be limited to repairing or replacing parts found by WISECO to be defective, or at WISECO'S option, to refund the purchase price of such product. In no event shall WISECO be liable for incidental or consequential damages arising out of or in connection with the product. Consequential damages shall include, without limitation, loss of use, income or profit, or losses sustained as the result of injury (including death) to any person, or loss of or damage to property.

Any claim by purchaser regarding this product shall be deemed waived by the purchaser unless submitted in writing to WISECO within the earlier of (i) fifteen (15) days following the date Purchaser discovered, or by reasonable inspection should have discovered, any claimed breach of this limited warranty, or (ii) thirty (30) days following the date of original purchase. Any cause of action for breach of this limited warranty shall be brought within six months from the date the alleged breach was discovered or should have been discovered, whichever occurs first.

This limited warranty gives you specific legal rights, and you may also have other rights which vary from state to state.