

# Installation Instructions for Buell XB9R Big Bore - 3.8125" Bore

## 1.) CYLINDER PREPARATION AND SUGGESTED CLEARANCES:

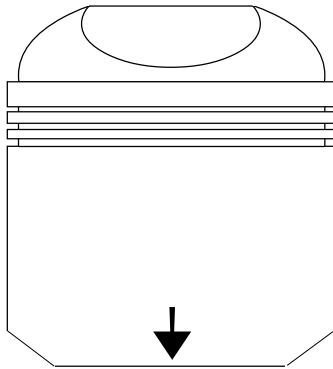
Most cylinders must be bored and honed before piston kit can be assembled. **All Harley-Davidson cylinders must be assembled on torque plates during the boring and honing operation. Failure to use torque plates will result in cylinder bore distortion. A piston ring compressor must be used to install the piston and ring assembly into the cylinder. Improper installation will cause engine damage.**

WISECO pistons have a special diamond turn finish. **To check for clearances measure pistons across thrust faces 90° from the wrist pin hole at the base of piston.** Recommended procedure is to check piston size and hone cylinder for the desired clearance. Each cylinder should be deburred on top and generously chamfered on bottom for ease of piston and ring installation. Finish hone with a 280-400 grit hone. A good cross hatch finishing pattern is important for best results. **CAUTION: Wash cylinder assembly with soap and water, then swab with new # 10 oil on a clean rag until all tendency of rag discolor is gone. Washing in solvent will not remove the abrasive from finished cylinder walls.**

## Suggested Piston to Cylinder Wall Clearance for: Buell XB9R Big Bore

**Wiseco Series Part # 4844 - .004"**

*(Excessive clearances will cause severe engine noise)*



**1.) To check for clearances measure pistons across thrust faces 90° from the wrist pin hole at the base of piston as illustrated.**

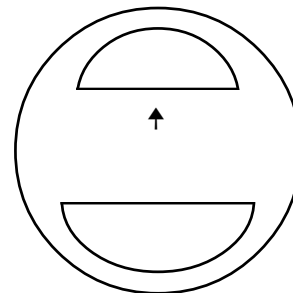
These clearances are for normal operation and conditions. Improper timing, and abusive operating conditions can cause higher than normal piston temperatures. Under these conditions minimum piston clearances may not be sufficient. Pistons used for racing or special applications may require additional clearances.

**Minimum Ring End Gap is .004" for every inch of bore size.**

**Example: 3.000" Bore = .012" Ring End Gap**

## Piston Installation

**2.) The ARROW on top of a Wiseco piston should point toward the exhaust side of the cylinder after installation. Piston to cylinder fit is critical. Follow advised clearances given above for best results. Always use new gaskets and torque cylinder head to manufacturer's specifications. In some instances, cylinder heads may have to be re-torqued after break-in to insure proper head gasket seal.**



**Top View  
of Piston**

## 3.) MODIFIED CAMS OR ALTERED CAM TIMING:

Most Wiseco pistons are machined with valve pockets that are deeper and larger than stock. These pockets provide adequate valve clearance for most modified or high lift cams. **It is very important that valve to piston clearance be checked with every modified cam installation.** This is necessary due to the many variations in cam profile and the tuners selected cam timing.



**WISECO PISTON CO., INC.**  
7201 INDUSTRIAL PARK BLVD. • MENTOR, OH 44060-5396  
(440) 951-6600 • Fax: (440) 951-6606

### **WISECO PISTON, INC. , LIMITED WARRANTY**

WISECO warrants this product will be free from defects in material and workmanship for thirty (30) days following date of original purchase. If the product is found by WISECO to be defective, such products will, at WISECO'S option, be replaced or repaired at cost to WISECO. All products alleged by Purchaser to be defective must be returned to WISECO, postage prepaid, within thirty (30) days warranty period.

This limited warranty does not cover labor or other costs or expenses incidental to the repair and/or replacement of products or parts.

This limited warranty does not apply to any product which has been used in a hi-performance application, or racing or is subject to misuse, mishandling, misapplication, neglect (including but not limited to improper maintenance), accident, improper installation, modification (including but not limited to use of unauthorized parts or attachments), or adjustment or repair performed by anyone other than WISECO.

The parties hereto expressly agree that the purchaser's sole and exclusive remedy against WISECO shall be for the repair or replacement of the defective product as provided in this limited warranty. This exclusive remedy shall not be deemed to have failed of its essential purpose so long as WISECO is willing and able to repair or replace defective goods.

THIS LIMITED WARRANTY IS IN LIEU OF ALL OTHER WARRANTIES, EXPRESS OR IMPLIED, INCLUDING THOSE OF MERCHANTABILITY OR FITNESS FOR A PARTICULAR PURPOSE NOT EXPRESSLY SET FORTH HEREIN. ANY PRODUCT WHICH MAY BE SOLD BY WISECO BUT WHICH IS NOT MANUFACTURED BY WISECO IS NOT WARRANTED BY WISECO, BUT IS SOLD ONLY WITH THE WARRANTIES, IF ANY, OF THE MANUFACTURERS THEREOF.

WISECO'S liability (whether under the theories of breach of contract or warranty, negligence or strict liability) for its products shall be limited to repairing or replacing parts found by WISECO to be defective, or at WISECO'S option, to refund the purchase price of such product. In no event shall WISECO be liable for incidental or consequential damages arising out of or in connection with the product. Consequential damages shall include, without limitation, loss of use, income or profit, or losses sustained as the result of injury (including death) to any person, or loss of or damage to property.

Any claim by purchaser regarding this product shall be deemed waived by the purchaser unless submitted in writing to WISECO within the earlier of (i) fifteen (15) days following the date Purchaser discovered, or by reasonable inspection should have discovered, any claimed breach of this limited warranty, or (ii) thirty (30) days following the date of original purchase. Any cause of action for breach of this limited warranty shall be brought within six months from the date the alleged breach was discovered or should have been discovered, whichever occurs first.

This limited warranty gives you specific legal rights, and you may also have other rights which vary from state to state.

**WISECO PISTON, INC. 7201 Industrial Park Blvd. Mentor Ohio 44060**